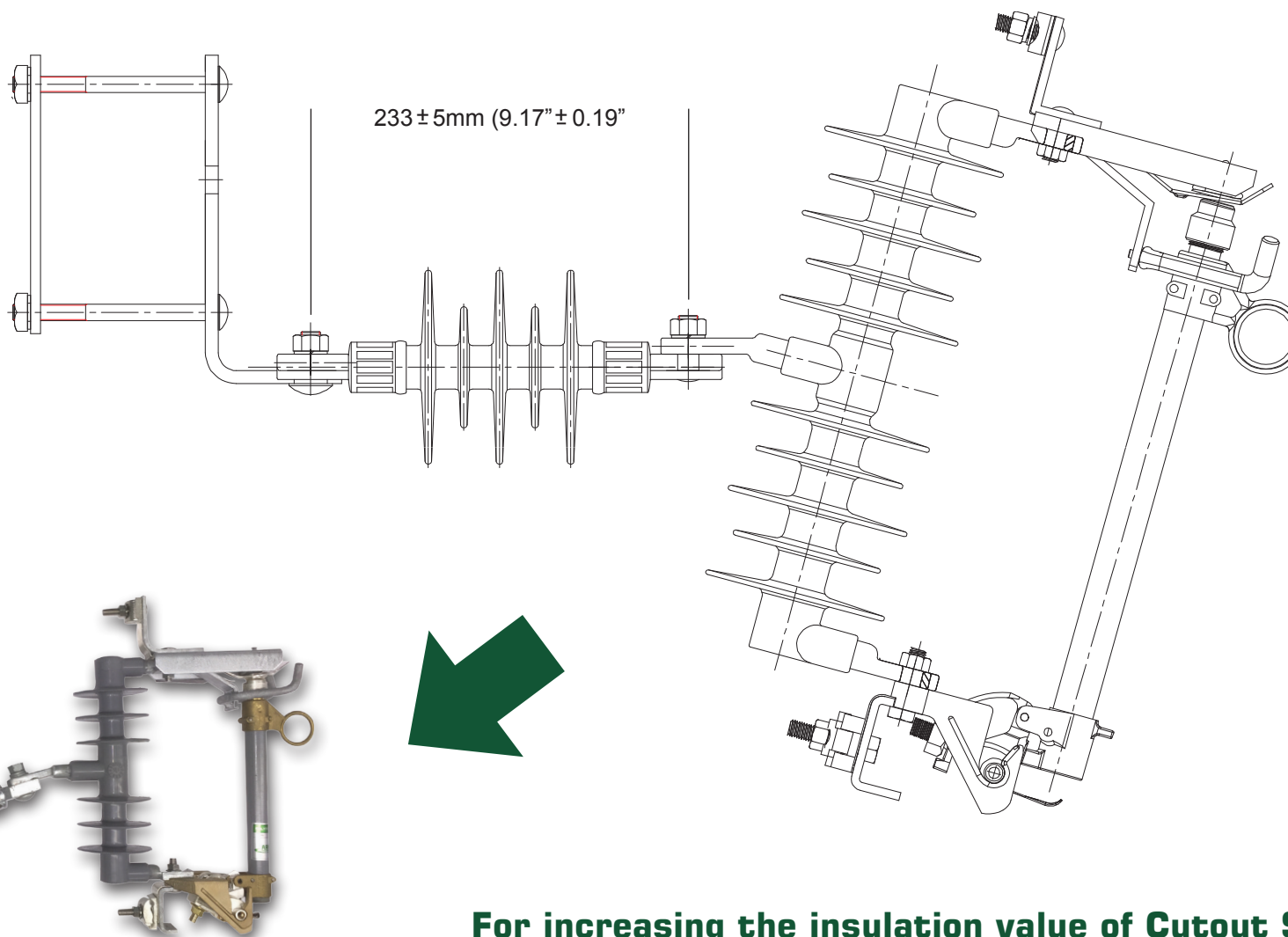


Polymer Coupling Insulator for Cutout Switch

Nema Type B Brackets



For increasing the insulation value of Cutout Switch